

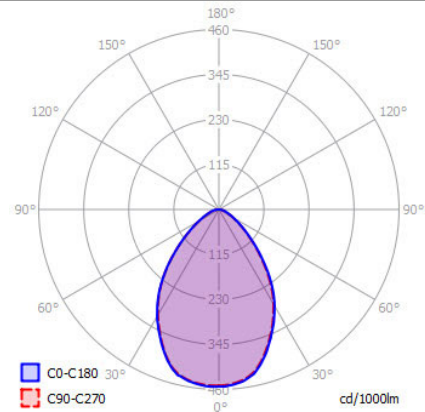
# STRATO 190

## SPECIFICATIONS

MOUNTING		CEILING RECESSED
POWER	[W]	16
LAMP		built-in LED
LUMINOUS FLUX*	[lm]	1640
LIGHT COLOUR	[K]	3000
CRI		>90
BEAM ANGLE	[°]	-
AVERAGE LIFETIME	[h]	L80/B50.000
LUMINOUS EFFICACY	[lm/W]	102
POWER SUPPLY	[V] [A]	220-240V AC 50/60 Hz
LED-DRIVER		INCLUDED
DIMMING		NO
THROUGH-WIRING		NO
MATERIAL		ALUMINUM
INGRESS PROTECTION		IP44
PROTECTION CLASS		III
NET WEIGHT	[kg]	0,62
GROSS WEIGHT	[kg]	0,65
COLOUR (HOUSING)		WHITE ~RAL9003
CUT-OUT	[mm]	Ø180
RECESSED DEPTH (H)	[mm]	85



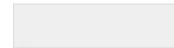
## LIGHT DISTRIBUTION



\*Luminous flux values are nominal LED data at a operating temperature of 25° C

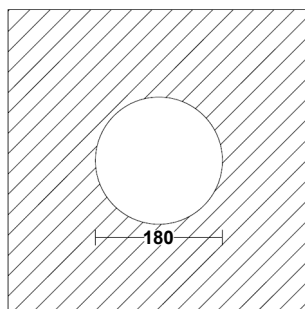
## OPTIONS / OPTIONAL ACCESSORIES

### Colours

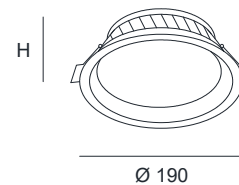


white

## MOUNTING DIMENSIONS



## FIXTURE DIMENSIONS



DLS LIGHTING

www.dslighting.com

**\*DLS**  
LIGHTING