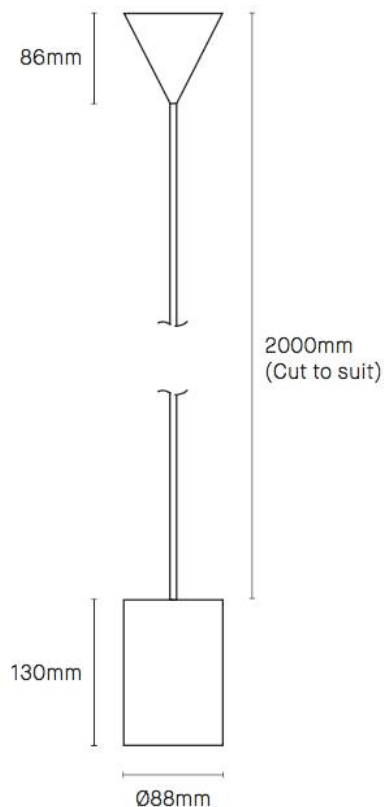




Technical specifications

Solid Pendant Cylinder
Natural Oak

Shade material	European Oak, lacquered matt.
Shade dimensions	Ø 88mm. H 130mm.
Shade weight	275g (weight may vary)
Cable	2 metre matt white cable supplied (Ø 4.5mm, 2 x 0.82)
Ceiling fixing	Conical steel ceiling rose fixing, powder-coated in white (RAL 9003). Ceiling rose Ø 88mm, H 86mm. All fixings are hidden within the ceiling rose.
Other information	IP20 rated. Class 1. Supply voltage: 220-240V ~ 50/60Hz Lampholder: GU10 Lamp Type (Bulb): LED only. 8W Max. Tested and approved by the Lighting Industry Association for compliance with EN-60598 Part 1 and EN-60598 Part 2-1.



Technical specifications

MEGAMAN[®] PAR16 6.2W GU10 2800K Dimmable

Reflector type	PAR16
Wattage	6.2W
Voltage	220-240V~ 50-60Hz
Lamp base	GU10
Lamp life (L90)	25,000hrs
Beam angle	WFL (35°)
Colour temperature	Warm white (2800K)
Colour rendering index	80
Max. lumen intensity	850cd
Total luminous flux	500lm
Operating temperature	-30°c to +40°c
Diameter	50mm
Length	57mm
Weight	45g
Dimmable	100-5%
Energy label	A+