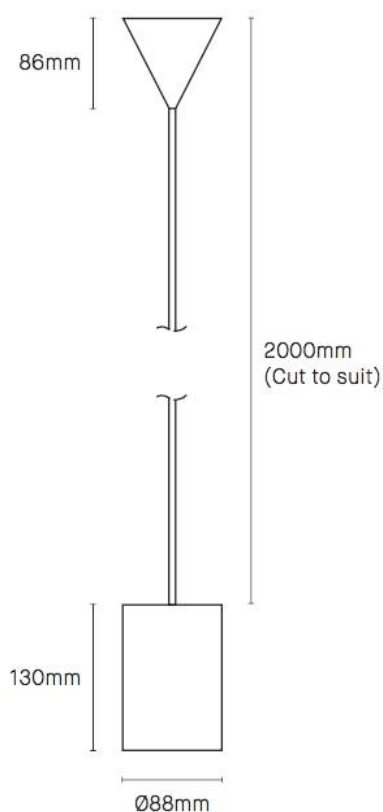


## Technical specifications

Solid Pendant Cylinder  
Black Stained Oak

<b>Shade material</b>	Black stained European Oak, lacquered matt.
<b>Shade dimensions</b>	Ø 88mm. H 130mm.
<b>Shade weight</b>	275g (weight may vary)
<b>Cable</b>	2 metre, matt black cable supplied (Ø 4.5mm, 2 x 0.82)
<b>Ceiling fixing</b>	Conical steel ceiling rose fixing, powder-coated in semi-matt black (RAL 9005). Ceiling rose Ø 88mm, H 86mm. All fixings are hidden within the ceiling rose.
<b>Other information</b>	IP20 rated. Class 1. Supply voltage: 220-240V ~ 50/60Hz Lampholder: GU10 Lamp Type (Bulb): LED only. 8W Max. Tested and approved by the Lighting Industry Association for compliance with EN-60598 Part 1 and EN-60598 Part 2-1.



### **Technical specifications**

MEGAMAN<sup>®</sup> PAR16 6.2W GU10 2800K Dimmable

<b>Reflector type</b>	PAR16
<b>Wattage</b>	6.2W
<b>Voltage</b>	220-240V~ 50-60Hz
<b>Lamp base</b>	GU10
<b>Lamp life (L90)</b>	25,000hrs
<b>Beam angle</b>	WFL (35°)
<b>Colour temperature</b>	Warm white (2800K)
<b>Colour rendering index</b>	80
<b>Max. lumen intensity</b>	850cd
<b>Total luminous flux</b>	500lm
<b>Operating temperature</b>	-30°c to +40°c
<b>Diameter</b>	50mm
<b>Length</b>	57mm
<b>Weight</b>	45g
<b>Dimmable</b>	100-5%
<b>Energy label</b>	A+