

LUCY

SPECIFICATIONS

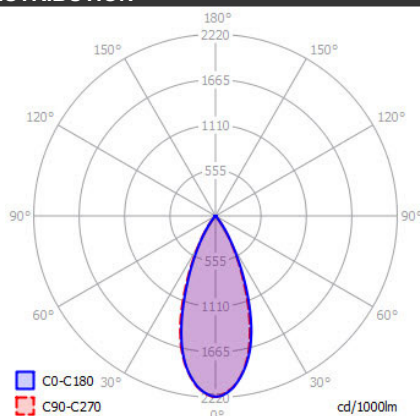
MOUNTING		TRACK
POWER	[W]	10
LAMP		built-in LED
LUMINOUS FLUX*	[lm]	935 / 970
LIGHT COLOUR	[K]	2700 / 3000
CRI		>90
BEAM ANGLE	[°]	38 (default)
AVERAGE LIFETIME	[h]	L80/B50.000
LUMINOUS EFFICACY	[lm/W]	93
POWER SUPPLY	[V] [A]	220-240V AC 50/60 Hz
LED-DRIVER		INCLUDED
DIMMING		NO
THROUGH-WIRING		-
MATERIAL		ALUMINUM
INGRESS PROTECTION		IP20
PROTECTION CLASS		I
NET WEIGHT	[kg]	0,38
GROSS WEIGHT	[kg]	0,40
COLOUR (HOUSING)		WHITE ~RAL9003
COLOUR (HOUSING)		BLACK ~RAL9005

*Luminous flux values are nominal LED data at a operating temperature of 25° C



LIGHT DISTRIBUTION

38°



OPTIONS / OPTIONAL ACCESSORIES

REFLECTOR	[°]	18 / 60
-----------	-----	---------



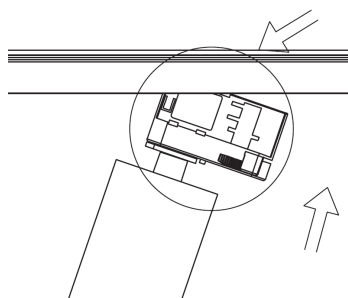
Colours



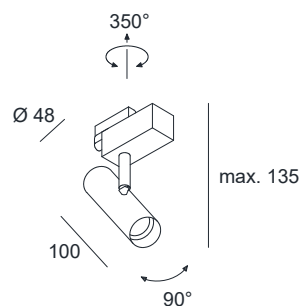
white

black

TRACK MOUNTING



FIXTURE DIMENSIONS



DLS LIGHTING

www.dslighting.com

***DLS**
LIGHTING