

Ledtube Daniel López

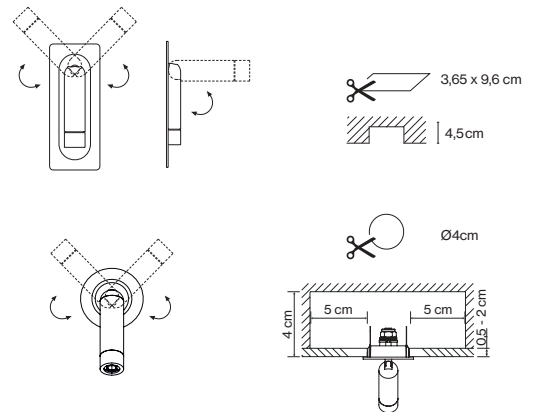
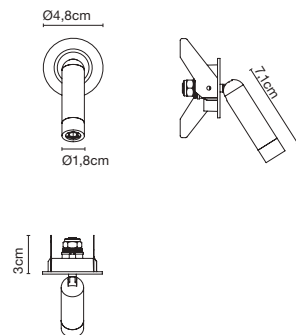
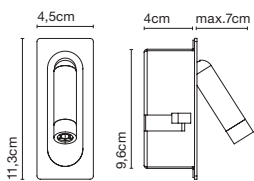
marset



Ledtube mini

Ledtube mini spot

Range of positions



The Ledtube mini offers a new size to fill the gap: the same design but smaller and more compact while maintaining the proportions of the original.

Ledtube mini

Light Source:
LED SMD 700mA 2,1W 2700K
CRI90 199,4lm

Luminaire:
220 - 240 VAC 4,33W 45lm

Ledtube mini spot

Light Source:
LED SMD 700mA 2,1W 2700K
CRI90 199,4lm

Luminaire:
220 - 240 VAC 4,33W 45lm

LED included

Optics



Injected aluminium structure and a frontal piece of transparent polycarbonate. Honeycomb grill to avoid glare. Incorporated switch to turn the lamp on when opened and off when folded away, except in the spot version.

- Aluminium
- Matte white (RAL 9010)
- Matte black (RAL 9005)
- Bronze



- [Download](#) Assembly instructions
- [Download](#) 2D
- [Download](#) 3D
- [Download](#) Photometric data

Range

