

KELLY

SPECIFICATIONS

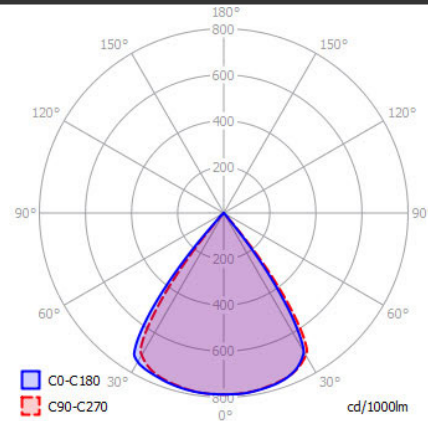
MOUNTING		TRACK
POWER	[W]	15
LAMP		built-in LED
LUMINOUS FLUX*	[lm]	1450 / 1490
LIGHT COLOUR	[K]	2700 / 3000
CRI		>90
BEAM ANGLE	[°]	15 - 90
AVERAGE LIFETIME	[h]	L80/B50.000
LUMINOUS EFFICACY	[lm/W]	96
POWER SUPPLY		220-240V AC 50/60 Hz
LED-DRIVER		INCLUDED
DIMMING		PHASE DIM
THROUGH-WIRING		-
MATERIAL		ALUMINUM
INGRESS PROTECTION		IP20
PROTECTION CLASS		I
NET WEIGHT	[kg]	0,94
GROSS WEIGHT	[kg]	0,98
COLOUR (HOUSING)		WHITE ~RAL9003
COLOUR (HOUSING)		BLACK ~RAL9005

*Luminous flux values are nominal LED data at a operating temperature of 25° C



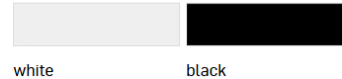
LIGHT DISTRIBUTION

90°

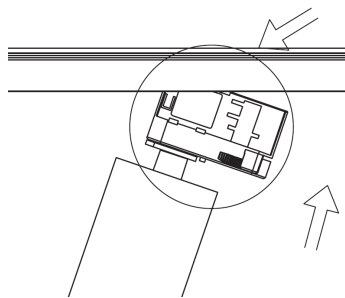


OPTIONS / OPTIONAL ACCESSORIES

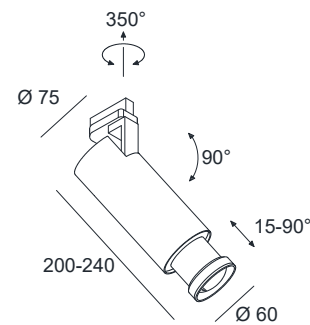
Colours



TRACK MOUNTING



FIXTURE DIMENSIONS



DLS LIGHTING

www.dslighting.com

*DLS
LIGHTING