



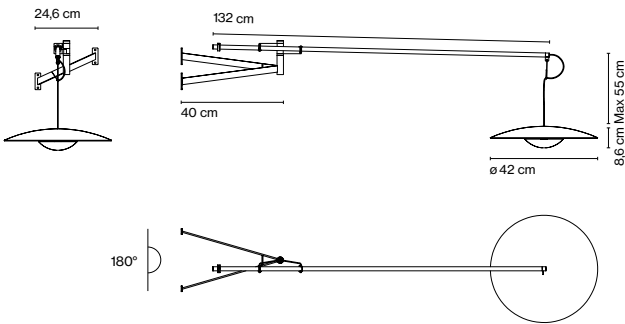
# Ginger

## Joan Gaspar

**marset**



**Ginger A XL 42**



**Ginger A XL 42**

Light Source:  
LED SMD 700mA 16,28W  
2700K CRI90 1873lm  
Luminaire:  
85 - 264 VAC 11W 698lm

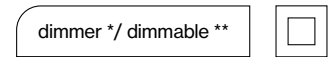
LED included

- Oak
- Wenge

Black electrical cord

Connections available: plug-in,  
hardwired or recessed

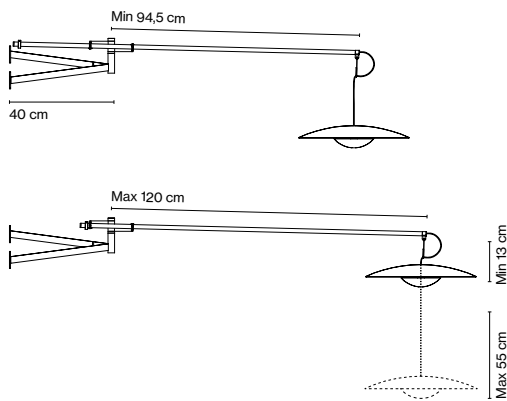
**Pressed wood diffuser of 4 mm in natural oak or wenge. Injected aluminium dissipater and metal structure in lacquered black matte. Movable arm made of carbon fiber, lacquered in black matte.**



\* Plug-in wall fixtures: inline motion sensor dimmer  
\*\* Hardwired wall fixtures: dimmable

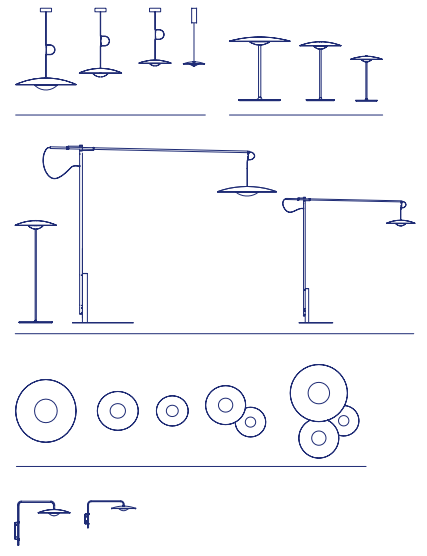


**Variety of positions**



- [Download](#) Assembly Instructions
- [Download](#) Photometric Data
- [Download](#) 2D
- [Download](#) 3D

**Range**



**Watch the video**  
info@marset.com  
www.marset.com

An adjustable wall lamp with a movable structure that holds the lampshade. This articulated arm offers static movement from one side to another, bringing stability to the whole.

### How Ginger illuminates

#### Ginger A XL 42

