



Copérnica

Ramírez i Carrillo

marset



Copérnica M

Copérnica M

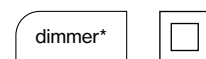
Light source:
LED SMD 24Vdc 4,7W
2700K CRI90 491lm
Luminaire:
85 - 264 VAC 5,94W 416lm

LED included

Black electrical cord

Structure in graphite with the base and counterweight in lacquered steel. Tilttable difusser in aluminium with a built-in switch.

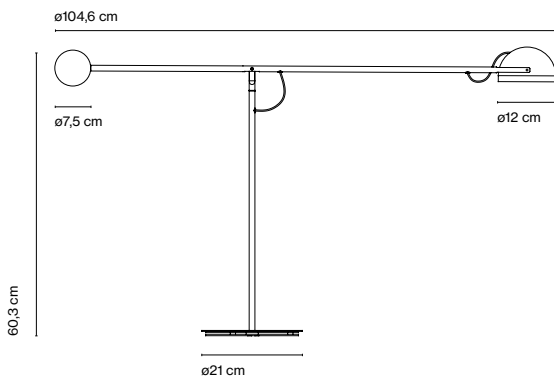
- Graphite - Golden - Black
- Graphite - Satin nickel - Black
- Graphite - Red - Black



* 3 positions dimmer



- [Download](#) Assembly Instructions
- [Download](#) 2D
- [Download](#) 3D



Collection



Watch the video info@marset.com

The collection consists of desktop and standing versions that play with counterweights of mixed materials and density, such as steel and aluminium. This design allows one to move the lamp with great precision, providing a wide range of heights, distances, and adjustments to the beam of light to suite one's taste.