

CLIPPO OPTIC P3

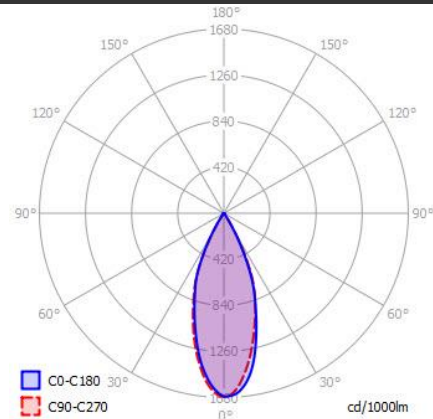
SPECIFICATIONS

| | | |
|--------------------|---------|----------------------|
| MOUNTING | | TRACK |
| POWER | [W] | 10,5 |
| LAMP | | built-in LED |
| LUMINOUS FLUX* | [lm] | 35-1240 |
| LIGHT COLOUR | [K] | 1800-3000 |
| CRI | | >90 |
| BEAM ANGLE | [°] | 35 (default) |
| AVERAGE LIFETIME | [h] | L80/B50.000 |
| LUMINOUS EFFICACY | [lm/W] | 118 |
| POWER SUPPLY | [V] [A] | 220-240V AC 50/60 Hz |
| LED-DRIVER | | INCLUDED |
| DIMMING | | PHASE DIM |
| THROUGH-WIRING | | - |
| MATERIAL | | ALUMINUM |
| INGRESS PROTECTION | | IP20 |
| PROTECTION CLASS | | I |
| NET WEIGHT | [kg] | 0,87 |
| GROSS WEIGHT | [kg] | 0,90 |
| COLOUR (HOUSING) | | WHITE ~RAL9003 |
| COLOUR (HOUSING) | | BLACK ~RAL9005 |



LIGHT DISTRIBUTION

35°



*Luminous flux values are nominal LED data at a operating temperature of 25° C

OPTIONS / OPTIONAL ACCESSORIES

| | | |
|-------------|-----|---------|
| REFLECTOR | [°] | 24 / 50 |
| ACCENT RING | | GOLD |



white/white



white/gold



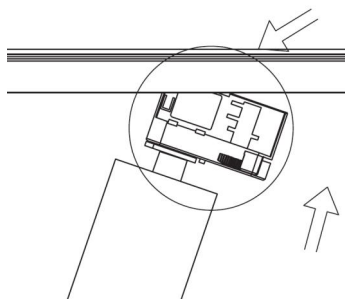
black/black



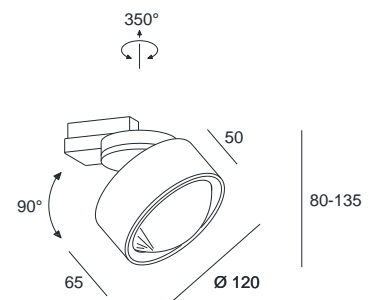
black/gold



TRACK MOUNTING



FIXTURE DIMENSIONS



DLS LIGHTING

www.dlslighting.com

***DLS**
LIGHTING